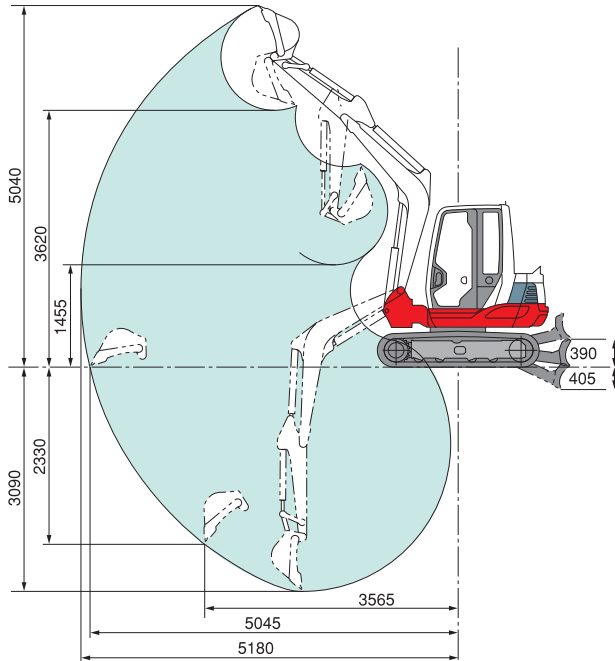
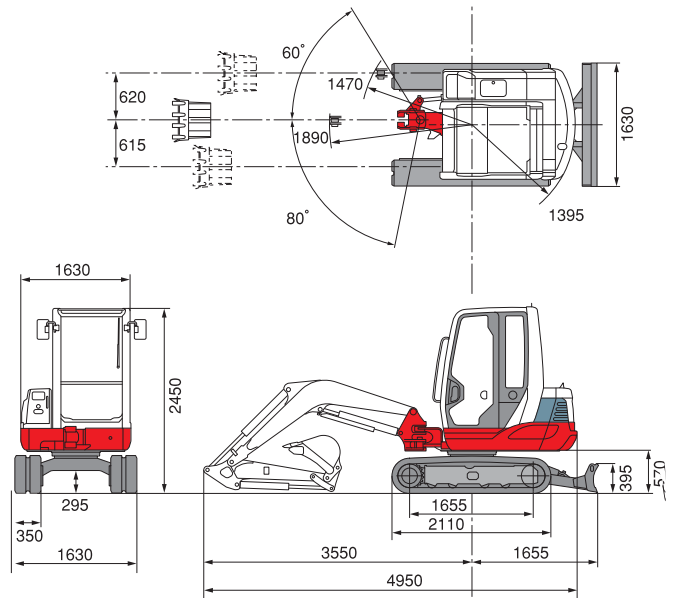


TAKEUCHI FULL HYDRAULIC COMPACT EXCAVATOR **TB235**

OPERATING RANGES: mm



MACHINE DIMENSIONS: mm



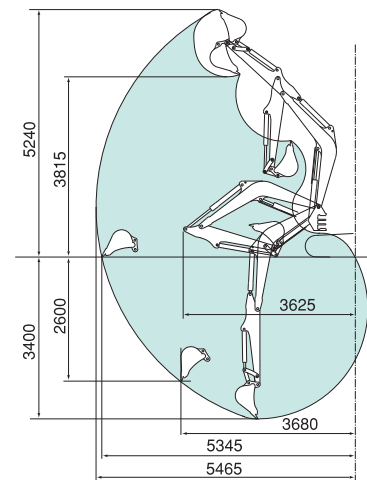
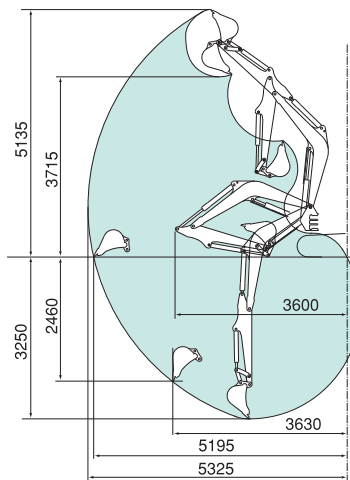
MIDDLE ARM

LONG ARM



TB235

FULL HYDRAULIC COMPACT EXCAVATOR



SPECIFICATIONS TB235 (Cab, Rubber Tracked, Standard Arm, Breaker Piping Standard)

Weight		Engine Oil	L	4.7	HYDRAULIC SYSTEM		
Operating Mass(ISO6016) kg	Canopy 3465 Cabin 3605	Fuel Tank	L	52.5	Pump type	Variable x 2 + Gear x 2	
Bucket		Electric System	12V/40A		Set Pressure	MPa 21.0 x 2 + 19.6 x 1 + 3.4 x 1	
Bucket Capacity (Heaped) m ³	0.105 (Heaped)	PERFORMANCE			Discharge	L/min 38.9 x 2 + 22.8 x 1 + 10.8 x 1	
Bucket Width	mm 540	Traction Speed	km/h	2.6 / 5.0	Slew Motor	Piston Motor	
Diesel Engine (Water-Cooled)		Upper Slew Speed	min ⁻¹	10	Traction Motor	2-Speed Piston Motor	
Model	3TNV88	Gradeability	degrees	30°	Hydraulic Oil Capacity	35 (Level) / 67 (System)	
Cylinders / Type	3/4CYCL	Max Dig power Bucket	kN	27	SAFETY		
Engine Power:kW(ISO 9249)	21.5/2,400 min ⁻¹	Max Dig power Arm	kN	SSA: 18.3 MSA: 17.1 LSA: 16.0	ROPS / FOPS (CABIN / CANOPY)	ROPS / FOPS	
Engine Power:kW(ISO 14396)	22.2/2,400 min ⁻¹	Ground Pressure	kPa	Canopy 26.8 Cabin 27.9	Option & Equipments		
Engine Power:kW(SAE J1995)	22.5/2,400 min ⁻¹	OFF-SET DIG FUNCTION			Service Port 1 L/min/MPa	61.7 / 21.0	
Maximum Torque	N·m 98.6-107.4	Type	Boom Swing			Service Port 2 L/min/MPa	22.8 / 19.6 (Option)
Displacement	mL 1642	TRACTION SYSTEM : mm			Service Port 3 L/min/MPa	10.8 / 3.4 (Option)	
Engine Coolant.	L 8.7	Type	Rubber / Steei				

TAKEUCHI

WORLD CREATOR OF COMPACT EXCAVATOR
TAKEUCHI MFG.CO.,LTD.
 205, Uwadaira,Sakaki-machi, Hanisina-gun.
 Nagano 389-0605,Japan
 Phone (81)268-81-1112
 Telefax (81)268-81-1121
 URL <http://www.takeuchi-mfg.co.jp>
 E-mail:marketing@takeuchi-mfg.co.jp